

CZ6354

ATEX, IECEx certified 2MP 32X Starlight Network Explosion

Proof PTZ Speed Dome Camera







Features

- ATEX, IECEx Certified;
- Applicable for Gas Zone 1, Zone 2,Class II A, IIB, IIC, T1-T6 group),Dust Zone 21, 22.
- Certified for the latest standards IEC/EN60079
- Stainless steel 304 or 316L enclosure
- Weather Proof: IP66, IP68(2m/2h)
- Wide voltage input: AC100-240V or AC24V or DC24V or PoE++
- Powerful optical zoom and accurate pan/tilt zoom performance
- All-in-one solution for capturing long distance video surveillance for outdoor applications
- Start-light technology fits for dark, low-light applications
- True WDR for applications with direct sunlight or glare.
- Automatically filters out false alarms caused by animals, rustling leaves, bright lights,etc
- Automatically track an object in motion and keep it in the scene.
- Smart H.265+ technology reduces bit rate and storage requirements by up to 70% when compared to standard H.265 video compression.
- Wall and ceiling mounted way
- Optical fiber output version available

Application

CZ6354-□□ is a ZUOAN designed classic explosion-proof speed dome camera, which is integrated by explosion proof enclosure, speed dome module, sunshiled. The explosion proof speed dome camera can apply for Zone 1 and Zone 2 hazardous areas that explosive mixture of group IIA, IIB, IIC, T1~T6 gases, vapors and air may exist, Zone 21 and Zone 22 hazardous areas that explosive dust may exist. It's applicable for refining and chemical industry, oil extraction, gas production, fireworks production, grain production and storage, petrol station and so on.

Certificate

| | |
|------------------|---|
| Certificate Mark | With optical fiber:  II 2 G Ex db op pr IIC T6 Gb  II 2 D Ex tb op pr IIIC T80 °C Db Without optical fiber:  II 2 G Ex db IIC T6 Gb  II 2 D Ex tb IIIC T80 °C Db |
| Standards | EN IEC60079-0:2018, EN60079-1:2014, EN60079-28:2015, EN60079-31:2014 , IEC60079-0:2017, IEC60079-1:2014, |
| Certificates | DNV 21 ATEX 38340X, IECEx DNV 21.0048X |

Mechanical

| | |
|-------------------|-----------------------------|
| Housing | Stainless steel 304 or 316L |
| IP | IP66, IP68 (2m/2h) |
| Cable thread hole | 1pcs M27×1.25 or M25×1.5 |
| sunshade | Support |

Ambient

| | |
|---------------------|------------------------------|
| Ambient temperature | -40°C~+60°C |
| Air pressure | 80~110kPa |
| Relative Humidity | ≦95% (no condensation) @25°C |

Camera

| | |
|--------------------------|---|
| Image Sensor | 1/2.8" CMOS |
| Pixel | 2MP |
| Max. Resolution | 1920 (H) x 1080 (V) |
| ROM | 4 GB |
| RAM | 1 GB |
| Electronic Shutter Speed | 1/1 s–1/30000 s |
| Scanning System | Progressive |
| Min. Illumination | Color: 0.005 Lux@F1.35 B/W: 0.0005 Lux@F1.35 |

Lens

| | | | | |
|----------------------|---|--------------------|--------------------|-------------------|
| Focal Length | 4.9 mm–156 mm | | | |
| Max. Aperture | F1.35–F4.4 | | | |
| Field of View | H: 62.8°–2.2°; V: 36.7°–1.3°; D: 69.2°–2.6° | | | |
| Optical Zoom | 32x | | | |
| Focus Control | Auto/Semi-Auto/Manual | | | |
| Close Focus Distance | 1 m–1.5 m (3.28 ft–4.92 ft) | | | |
| Iris Control | Auto/Manual/Fixed | | | |
| DORI Distance | Detect | Observe | Recognize | Identify |
| | 2152 m (7060.37 ft) | 850 m (2788.71 ft) | 430 m (1410.76 ft) | 215 m (705.38 ft) |

PTZ

| | | | | |
|----------------------|---|--|--|--|
| Pan/Tilt Range | Pan: 0°–360° endless Tilt: 0° to +90°, auto flip 180 | | | |
| Manual Control Speed | Pan: 0.1°/s–350°/s Tilt: 0.1°/s–250°/s | | | |
| Preset Speed | Pan: 500°/s Tilt: 500°/s | | | |
| Presets | 300 | | | |
| Tour | 8 (up to 32 presets per tour) | | | |
| Pattern | 5 | | | |
| Scan | 5 | | | |
| Power-off Memory | Support | | | |
| Idle Motion | Preset/Tour/Pattern/Scanning | | | |
| Protocol | DH-SD Pelco-P/D (auto recognition) | | | |

General Intelligence

| | |
|---------------|---|
| Event Trigger | Motion detection, video tampering, scene changing, Network disconnection, IP address conflict, illegal access, and storage anomaly. |
| IVS | Object Abandoned/Missing |

Artificial Intelligence

| | |
|----------------------|--|
| Smart Capture | Support human, motor vehicle and non-motor vehicle image capture. |
| Perimeter Protection | Tripwire and intrusion. Support alarm triggering by target types (human and vehicle). Support filtering false alarms caused by animals, rustling leaves, bright lights, etc. |
| Face Detection | Support |
| Auto Tracking | Support |

| | |
|--------------------------|---|
| SMD PLUS | Support |
| Video | |
| Compression | H.265; H.264B; H.264M; H.264H; MJPEG (Sub Stream); H.265+; H.264+ |
| Streaming Capability | 3 streams |
| Resolution | 1080P (1920 × 1080); 1.3M (1280 × 960); 720P (1280 × 720); D1 (704 × 576); CIF (352×288) |
| Frame Rate | Main stream: 1080P/1.3M/720P (1–50/60 fps) Sub stream 1: D1/CIF (1–25/30 fps) Sub stream 2: 720P (1–25/30 fps) |
| Bit Rate Control | Variable/Constant |
| Bit Rate | H.264: 3 Kbps–20480 Kbps H.265: 3 Kbps–20480 Kbps |
| Day/Night | Auto (ICR)/Color/B/W |
| BLC | Support |
| WDR | 120 dB |
| HLC | Support |
| White Balance | Auto/Indoor/Outdoor/Tracking/Manual/Sodium lamp/Natural light/Street lamp |
| Gain Control | Auto/Manual |
| Noise Reduction | 2D/3D |
| Motion Detection | Support |
| Region of Interest (Rol) | Support |
| Image Stabilization | Electronic |
| Defog | Electronic |
| Digital Zoom | 16x |
| Flip | 180° |
| Privacy Masking | Up to 24 areas, and up to 8 areas in the same view |
| S/N Ratio | ≥ 55 dB |
| Audio | |
| Compression | G.711a; G.711Mu; G.726; AAC; MPEG2-Layer2; G722.1; G729; G723 |
| Network | |
| Ethernet | RJ-45 (10/100Base-T) |
| Protocol | IPv4; IPv6; HTTP; HTTPS; 802.1x; Qos; FTP; SMTP; UPnP; SNMPv1/v2c/v3 (MIB-2); DNS; DDNS; NTP; RTSP; RTP; TCP; UDP; IGMP; ICMP; DHCP; PPPoE; ARP; RTCP |

| | |
|---------------------|---|
| Interoperability | ONVIF Profile S&G&T; CGI |
| Streaming Method | Unicast/Multicast |
| User/Host | 20 (total bandwidth 64M) |
| Storage | FTP; Micro SD card (256G); NAS |
| Browser | IE7 and later versions Chrome 42 and earlier versions Firefox 52 and earlier versions Safari |
| Management Software | Smart PSS; DSS; DMSS; Easy4ip; IVSS |
| Mobile Phone | IOS, Android |

Certification

| | |
|----------------|--|
| Certifications | CE: EN55032/EN55024/EN50130-4 FCC: Part15 subpartB, ANSI C63.4-2014 UL: UL62368-1+CAN/CSA C22.2, No. 62368-1 |
|----------------|--|

Port

| | |
|---------------|-------------------------|
| Audio Input | 1 |
| Audio Output | 1 (LINE OUT; bare wire) |
| Two-way Audio | Support |
| Alarm I/O | 2/1 |

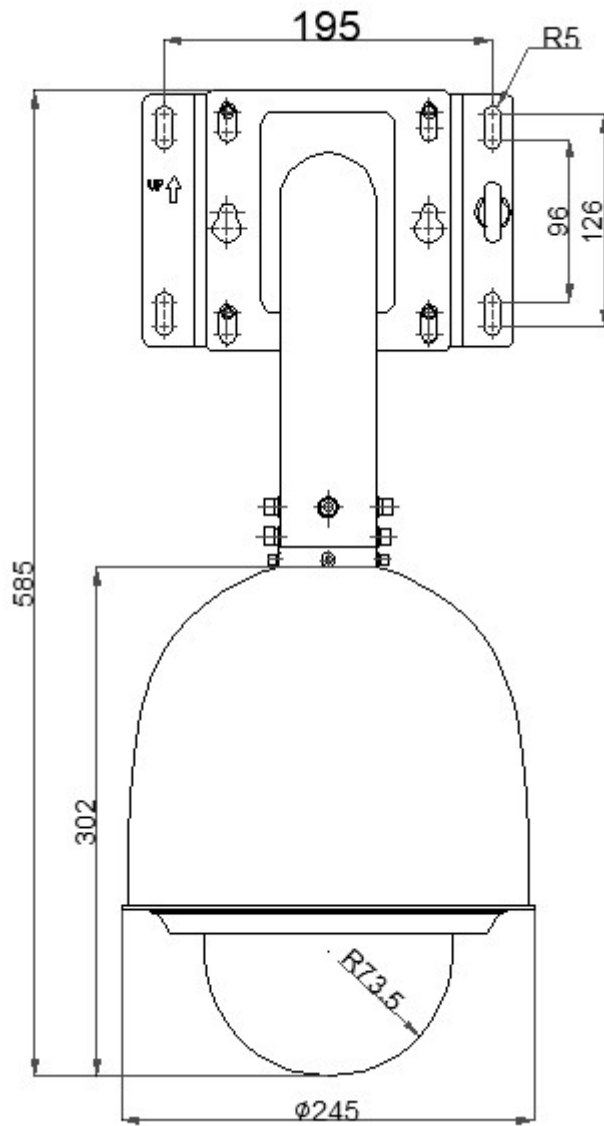
Power

| | |
|-------------------|------------------------------|
| Power Supply | DC24V/2.5A PoE+ (802.3at) |
| Power Consumption | Basic: 10W Max: 16W |

General

| | |
|-------------------------|---------------------------------|
| Cable | integrated cable |
| Size | 245*245*302mm (without bracket) |
| Weight | 13.5kg (without bracket) |
| Mounted | wall, ceiling |
| Wall bracket | ZAZ637-B |
| Ceiling mounted bracket | ZAZ637-D |
| Sunshield | optional |
| Safety hook | supported |

Dimension (With Wall Bracket)



ZAZ637-B wall bracket



ZAZ637-D ceiling mounted bracket

The ZANXG Explosion Proof Cable tube



| | |
|---------------------|---|
| Connector Material | Carbon Steel or Stainless steel 304 or 316L |
| Connector size | G3/4 |
| Certificate Mark | Ex e IIC Gb |
| IP | IP68 |
| Ambient temperature | -25 to +60°C |
| Air pressure | 80Kpa to 106Kpa |
| Relative Humidity | ≅95% (no condensation) |
| Length | 1m, 1.5m, 2m |

